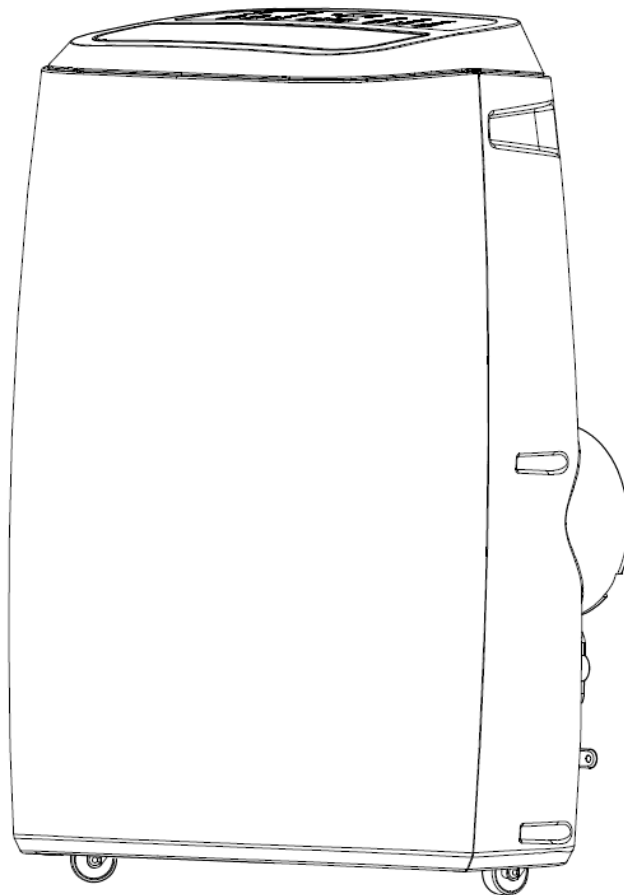


USER MANUAL



Portable Air Conditioner and Heater
With Heat Pump Technology



PAC12J

12,000btu Cool & Heat Portable Air Conditioner

Please read this manual carefully prior to operating the product.

Please keep ALL packaging for duration of Warranty Period

TABLE OF CONTENTS

IMPORTANT SAFEGUARDS	2
INTRODUCTION / WARRANTY	4
PRODUCT DIAGRAM	5-7
INSTALLATION	8-9
OPERATION	10
WATER DRAINAGE	9
MAINTENANCE	12
TROUBLESHOOTING	13
TECHNICAL SUPPORT / CUSTOMER SERVICE CONTACT	13

IMPORTANT SAFEGUARDS

Before installing and using your portable air conditioner and heater, it is important that you read this owner's manual carefully. Store this manual in a safe place for future reference.

This instruction manual is used for guidance and does not form part of a contract. It reserves the right to make technical changes without prior notice.

1. Always place the unit on a level surface.
2. The appliance shall be installed in accordance with national wiring regulation.
3. The unit must be connected to a correctly grounded power supply. For your safety, this unit is grounded through the power cord plug when connected to a grounded wall outlet. Do not use an adapter plug or extension cord.
4. Do not install the unit in an area where gas leakage may occur and/or in an explosive atmosphere.
5. Do not apply an insecticide or any type of flammable spray on the unit.
6. Confirm drainage piping is connected properly.
7. Do not start or stop the unit by inserting or pulling out the power plug.
8. Do not operate with wet hands.
9. Close supervision is necessary when the unit is used near children. The unit is not intended for use by children.
10. Do not insert anything into the air outlet. Do not obstruct air inlet or outlet grills.
11. Do not expose skin or eyes directly to cool air for a long period of time.
12. If an abnormal odour or smoke comes out of the unit, disconnect the unit immediately and contact a qualified service technician.
13. When opening the filter cover, do not touch the metal parts in the unit's interior.
14. Do not immerse the unit in water or any type of liquid. Do not use the unit in the immediate surroundings of a bath, shower, or swimming pool, or in any other steamy, wet areas.
15. When cleaning the unit, always turn the unit off and unplug the power cord.
16. Always inspect the power cord for signs of damage before use. If the power cord is damaged, it must be replaced by the manufacturer or a qualified service technician.
17. Do not place a plant or allow a pet in the direct path of the airflow to avoid injury.
18. Do not put a stove, etc, where it would be exposed to the direct airflow. It may affect combustion.
19. Do not sit on the unit or place anything on it.
20. Before storing, the water must be drained from the unit and the filters cleaned.
21. The appliance must be placed in an area without any continuously sources of ignition (for example: open flames , gas or electrical appliances in operation).
22. Do not puncture and do not burn.
23. This appliance contains Y g (see rating label back of unit) of R290 refrigerant gas.
24. R290 is a refrigerant gas that complies with the European directives on the environment. Do not puncture any part of the refrigerant circuit.
25. If the appliance is installed, operated or stored in a nonventilated area, the room must be designed to prevent to the accumulation of refrigerant leaks resulting in a risk of fire or explosion due to ignition of

- the refrigerant caused by electric heaters, stoves, or other sources of ignition.
26. The appliance must be stored in such a way as to prevent mechanical failure.
 27. Contact authorized service technician for repair or maintenance of this unit.
 28. Unplug the unit if strange sounds, smell, or smoke comes from it.



General Information

Recycling



This marking indicates that this product should not be disposed with other household wastes throughout the EU. To prevent possible harm to the environment or human health from uncontrolled waste disposal, recycle it responsibly to promote the sustainable reuse of material resources. To return your used device, please use the return and collection systems or contact the retailer where the product was purchased. They can take this product for environmental safe recycling.

Warning

The unit creates water which is collected in an internal water tank which has a rubber drain plug, it is very unlikely but if this tank becomes damaged during transport or the rubber bung comes out then it is possible that the unit will leak water when it is operated. Prior to use make sure the drain plug is in place & then during first use periodically check the unit to make sure it isn't leaking water (look at bottom / under the unit) – during first use do not turn the unit on and leave it unattended for a long period of time without checking.

INTRODUCTION

Thank you for purchasing this Portable Air Conditioner and Heater. This unit is designed to improve indoor living and working comfort by providing cooling, dehumidifying, and heating with minimal installation.

Please complete the following information for future reference. Retain this owner's manual with your sales receipt as a permanent record of your purchase.

Date of Purchase: _____

Place of Purchase: _____

Invoice Number: _____

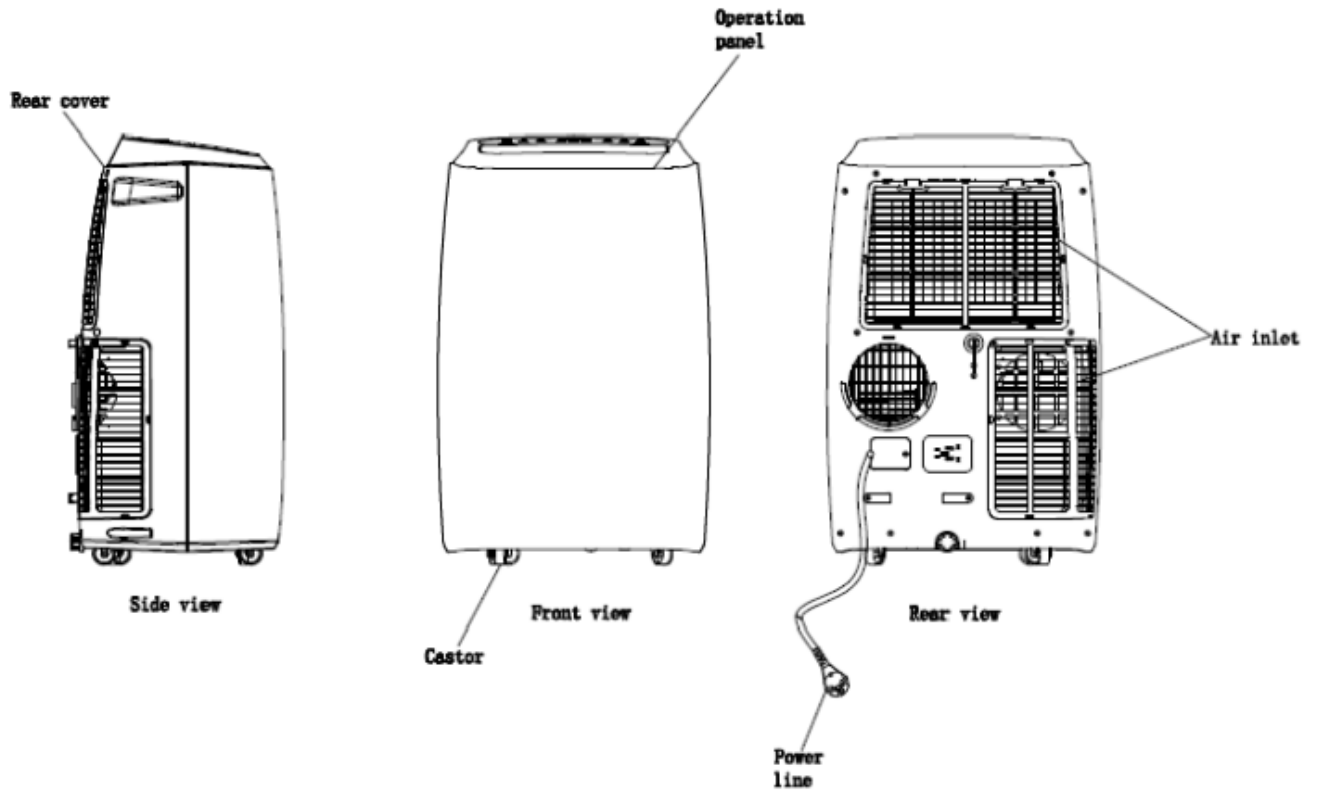
WARRANTY

This product comes with a 12month warranty from date of purchase (as indicated on original sales receipt).

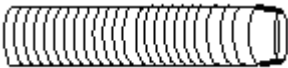
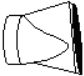

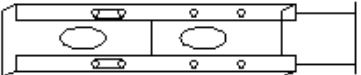
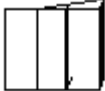


Please note that it is a warranty condition that ALL of the original packaging is kept for the duration of the warranty period, (the main box can be folded flat for storage).


If you need to make a warranty claim and the unit requires returning to us then we are only able to organise collection of the unit if it is in its original packaging (this is an insurance requirement of our courier). Failure to keep the original packaging means we are unable to organise collection of the product from you

PRODUCT DIAGRAM



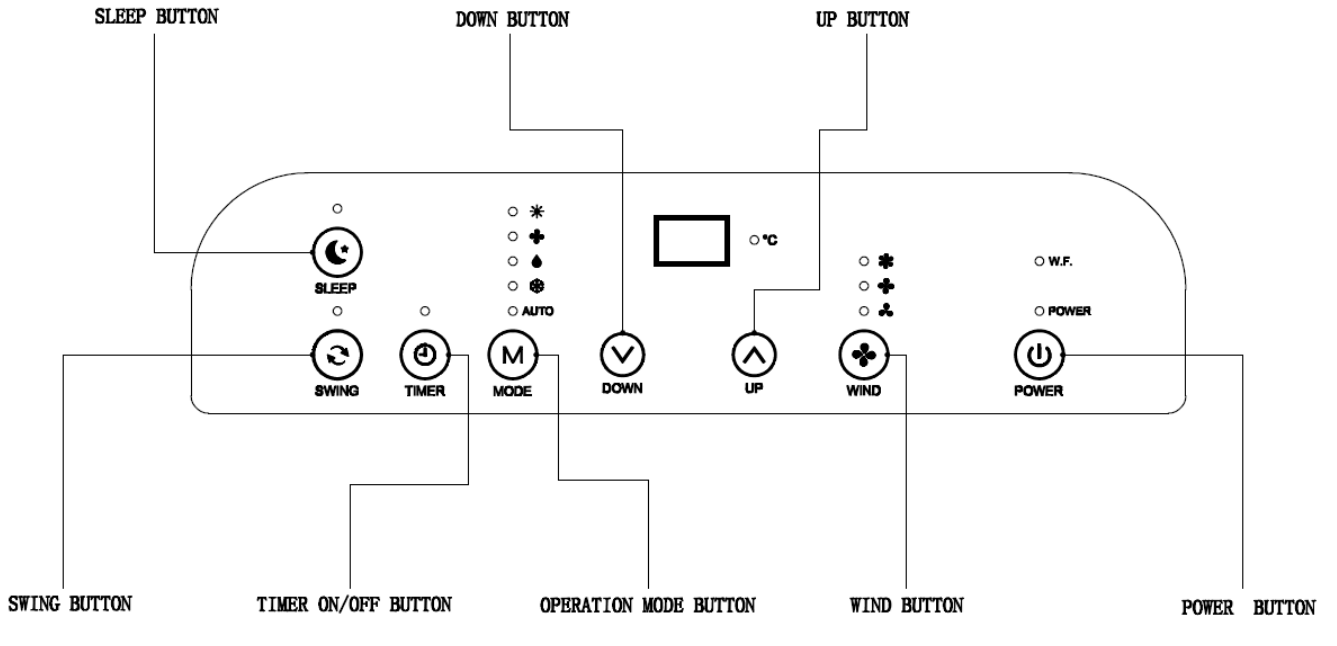
ACCESSORIES

ITEM	DESCRIPTION	QTY
	EXHAUST HOSE	1
	HOSE FUNNELL ATTACHMENT	1
	HOSE CONNECTOR TO UNIT	1
	SLIDING WINDOW KIT	1
	MANUAL	1
	REMOTE CONTROL	1
	BATTERY	1

	DRAIN HOSE	1
---	------------	---

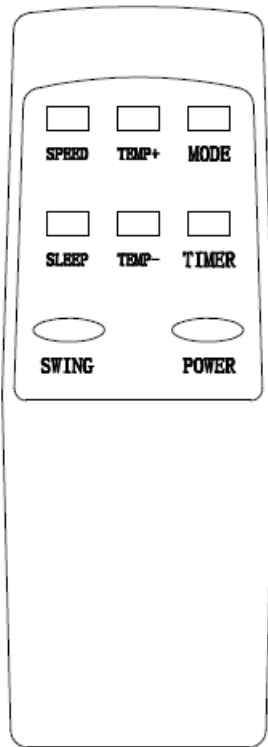
After unpacking, please ensure the above listed accessories are included.

CONTROL PANEL AND DISPLAY



Button	Function
Power	Turns the unit on/off
Tem +	Increases set temperature
Tem -	Decreases set temperature
Mode	Changes the mode
Speed	Changes the fan speed
Timer	Sets timer
Full Lamp	Indicates water full

REMOTE CONTROL FUNCTIONS



1. POWER
2. MODE
3. TIMER
4. SPEED
5. TEMP+
6. TEMP-
7. SLEEP
8. SWING

On/Off switch
MODE selector
Hourly programming
Fan speed selector
Temperature selector up
Temperature selector down
Night operation selector
Auto air flow selector

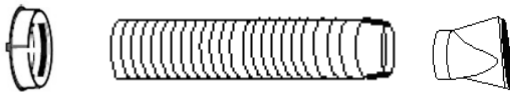
INSTALLATION

Exhausting the Air

It is necessary to use the exhaust hose when using the machine.
When in Cooling Mode hot air will be expelled out of the exhaust hose
When in Heating Mode cold air will be expelled out of the exhaust hose

Setting Up the Exhaust Hose

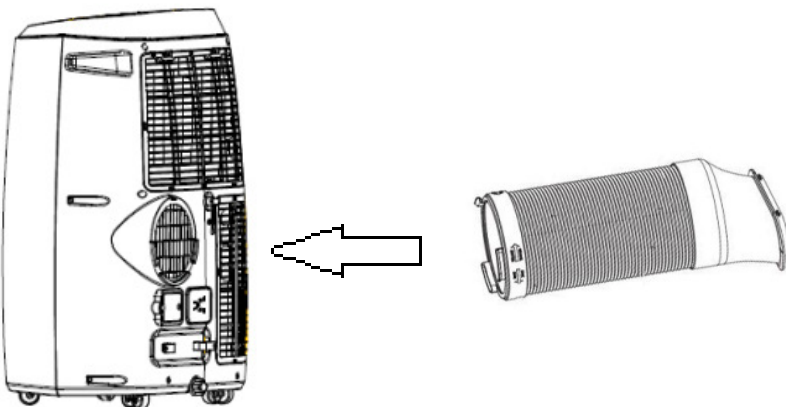
Take the 3x components, extend the exhaust hose and then twist the accessories onto each end of the hose



[A4]

Attaching Exhaust Hose to Unit

With the hose assembled, insert the square adapter into the opening at the back of the air conditioner



Venting the Exhaust Air

The exhaust hose should be kept as short and straight as possible so as to not restrict airflow of the exhausted air.

There are 3 x options with venting the exhaust air,

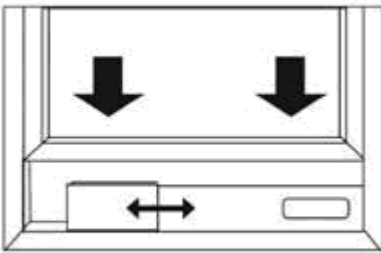
- 1) You can make a hole in the wall and pass the exhaust hose through the hole in the wall (this option doesn't require a window to be slightly open)
- 2) You can pass the end of the exhaust hose out of a slightly open window (you can pass the funnel attachment out of the window and then close the window onto the attachment to hold it in place)
- 3) You can use the sliding window kit if you have an up/down or a side opening window

Window Kit Installation

The window kit is designed to fit into most standard vertical and horizontal windows. However, it may be necessary to modify some aspects of the installation process for certain window types.

1. Open the window or sliding door and adjust the length of the window kit to fit the opening. Mark and cut down a single panel of the window kit if necessary.
2. Place the window kit between the window and the window frame as shown in the images to the right. Close the window onto the window kit to form a tight seal.
3. Attach the exhaust duct adapter to the window kit. Tabs located on the adapter will lock into place securing the adapter to the window kit.

HORIZONTAL WINDOW

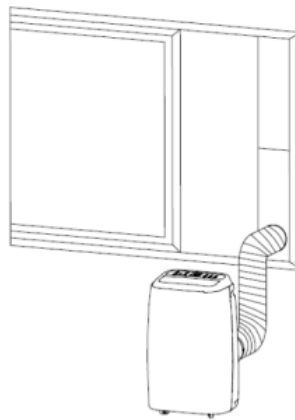
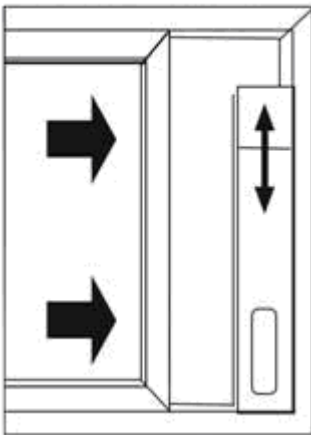


Window Slider Kit



[A6]

VERTICAL WINDOW



[A7]

OPERATION

Before Use

- Check that the Exhaust Hose has been mounted properly (see 'Installation' section). If the exhaust Hose is not correctly used, hot air will blow back into the room you are trying cool
- Check that the drain plug at the bottom rear of the unit is securely plugged in, to prevent water leaks (see page 9 – Water Drainage)
- Check that the local mains power matches that shown on the rating label of the unit
- Check that the location of the unit is suitable (flat, stable surface; away from sources water / heat)
- If the unit has recently been transported, let it stand for 6 hours to allow the compress contents to settle

Cooling Mode

Press the “Mode” button till the “Cool Mode” icon appears.

Press the “▲” or “▼” button to select a desired room temperature. (16C - 31C)

Press the “Fan Speed” button to select wind speed.

NOTE: During hot days, the unit will cool off the room most efficiently by setting the temperature at the lowest and the fan speed at the highest. Reducing the length of the exhaust hoses, insulating the exhaust hoses, and keeping direct sunlight to a minimum will also improve the cooling efficiency.

Heating Mode

Press the “Mode” button till the “Heat Mode” icon appears.

Press the “▲” or “▼” button to select a desired room temperature. (16C - 31C)

Press the “Fan Speed” button to select wind speed.

Dry (De-humidifying) Mode

Press the “Mode” button till the “Dry Mode” icon blinks

Set the selected temperature to current room temperature minus 2°C. (16C - 31C)

Set the fan motor to LOW wind speed.

AUTO Mode

According to the current room temperature the unit will automatically select the mode - cooling, dehumidifying or heating.

When the room temperature is <23C the unit will enter Heat Mode

When the room temperature is 23C – 26C the unit will enter Dry Mode

When the room temperature is >26C the unit will enter Cooling Mode

Timer Mode

Timer ON setting

When the air-conditioner is OFF, press the “Timer” button and select a desired ON time through the temperature and time setting buttons.

“Preset ON Time” is displayed on the operation panel.

ON time can be regulated at any time in 0-24 hours.

Timer OFF setting

When the air-conditioner ON, press “Timer” button and select a desired OFF time through the temperature and time setting buttons.

“Preset OFF Time” is displayed on the operation panel.

OFF time can be regulated at any time in 0-24 hours.

Swing (air flow)

After machine turns on, press this key, the louver will swing continuously left and right; by pressing this button again the

movement will stop and the louver remain in that position.

Sleep Control Function

While in cooling mode, press the SLEEP key to set the temperature. It increases 1 °C after an hour and at most increases 2 °C after 2 hours.

While in heating mode, press the SLEEP key to set the temperature. It decreases 1 °C after an hour and at most decreases 2 °C after 2 hours.

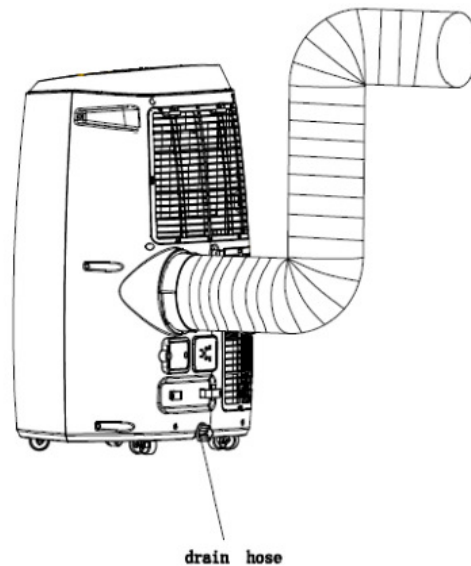
Press the SLEEP key again can cancel the setting.

WATER DRAINAGE

When the unit is in cooling mode, unwanted water is extracted from the air. Most of this water is re-used to cool the unit and make it run more efficiently. When the unit is used in extremely humid environments, water will collect in a water container at the bottom of the unit. When the water container is full, the compressor will stop but the fan will continue to run.

When the water container is full, the unit will display 'FULL' by means of the Water Indicator Full lamp being illuminated on the control panel until the tank is emptied. To resume operation, empty the water container according to the following steps:

1. Turn the unit off. Try not move the unit when the water container is full (can cause spillage)
2. Place a drain pan under the drainage port at the back of the unit (perhaps use a shallow tray)
3. Remove the rubber plug from the drain hole & drain water
4. Once the water container has been emptied, replace the rubber plug into the drain hole firmly



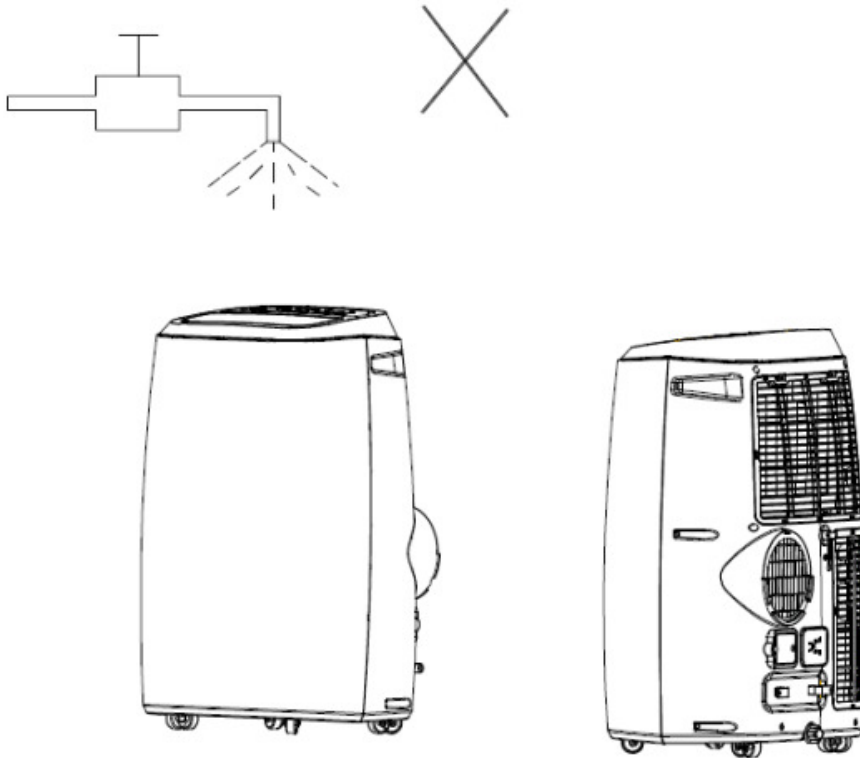
NOTE: In heating mode, the unit will also create water which needs emptying from the machine.

Continuous Drainage

You can of course set the unit up for continuous drainage thus negating the need to empty water from the machine. To do this remove the rubber bung from the unit and attach the drain hose to the unit, then drain the water into a container (be careful that it doesn't overspill from the container)

MAINTENANCE & CLEANING

- 1) Before cleaning, be sure to disconnect the unit from any electric supply outlet;
- 2) Do not use gasoline or other chemicals to clean the unit;
- 3) Do not wash the unit directly;
- 4) If the conditioner is damaged, please contact the dealer or repair shop.



[A8]

Cleaning Air Filter

If the air filter becomes clogged with dust/dirt the unit will not function properly, the air filter should be cleaned once every two weeks.

- Open the air inlet grille and take off air filter.
- Clean the air filter with a brush (brush the dust/dirt off the filter)
- If very dirty use a neutral detergent in lukewarm water and dry in the shade.
- Put air filter back into unit & close the air inlet grille.

Clean the Air-conditioner Surface

First clean the surface with a neutral detergent and wet cloth, and then wipe it with a dry cloth.

END OF SEASON STORAGE

Before storing the machine be sure to drain all of the water from the machine (see water drainage section)

TROUBLESHOOTING

PROBLEM	POSSIBLE CAUSE	REMEDY
Unit does not operate or only runs in fan mode.	Is the unit plugged in?	Securely plug the power cord into the wall outlet.
	Is the main power supply on?	Re-establish the main power supply.
	Is the water container full indicator light on?	Empty the water container.
	Is the timer set?	Change timer settings.
Cooling efficiency is not satisfactory.	Is the air inlet or outlet blocked?	Clear the blocking.
	Is there any other heat source in the room?	Move the heat source.
	Are the air filters dirty?	Clean the air filters.
	Is the temperature setting suitable?	Change the temperature setting.
	Is the fan speed set at low?	Increase the fan speed.
Auto power off in Heating Mode	Heating Protection, when the temperature at the air outlet exceeds 70C, the unit will power off automatically	Restart the unit at lower room temperature
Unit is noisy or vibrates.	Is the machine positioned unevenly on a level surface?	Place the unit on a level surface.
The unit starts and stops frequently.	Is the voltage from the power source correct?	Use a proper power source.
	Is the exhaust hose positioned incorrectly?	Position the exhaust hose correctly and keep the exhaust hose straight as possible.

ERROR CODES

Diagnostic system indicators appear if any of the following interrupts operation of the unit. The unit may require simple maintenance or repair by a qualified service technician.

E0 – Room Temperature Sensor

Solution = Replace sensor (the unit can also work without replacement)

E3 – Pipe Temperature Sensor

Solution – Replace sensor (the unit can also work without replacement)

E2 / E4 – Water Full

Solution = Please empty the water Tank

If any other error codes are displayed please contact the following via email sales@climachill.co.uk

TECHNICAL SUPPORT / CUSTOMER SERVICE CONTACT

If you require Technical Support or Customer Service please contact us in the following way: -

Email: sales@climachill.co.uk

Telephone: 01273 803820